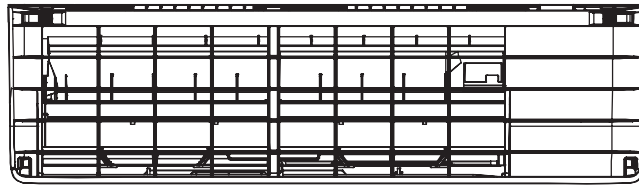


Dimensions

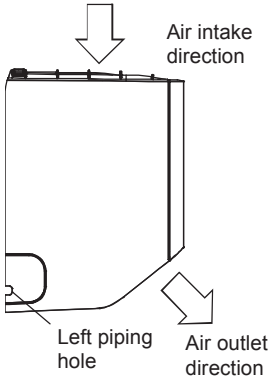
1. Indoor Unit

1.1 CS-PU9AKH-8 / CS-PU12AKH-8 / CS-PU18AKH-8

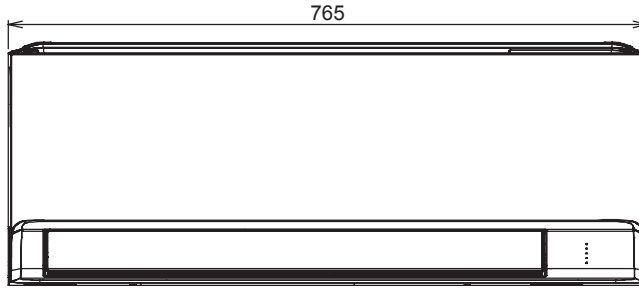
<Top View>



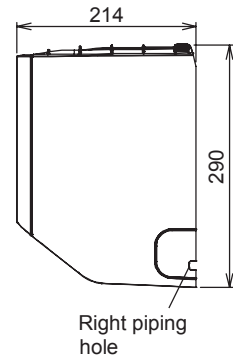
<Side View>



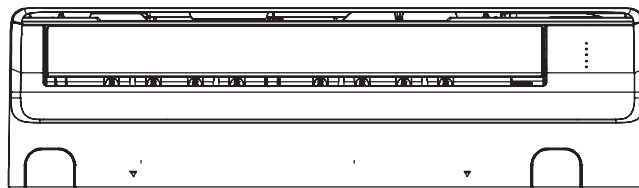
<Front View>



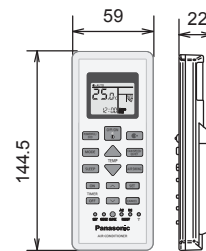
<Side View>



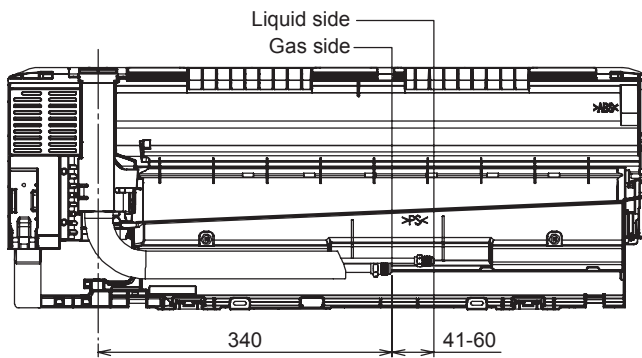
<Bottom View>



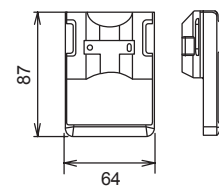
<Remote Control>



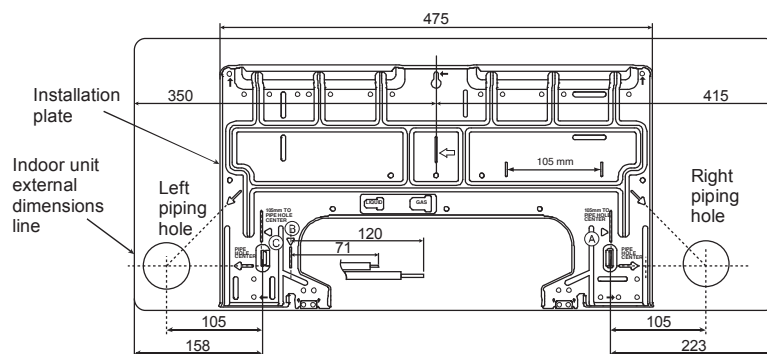
<Rear View>



<Remote Control Holder>



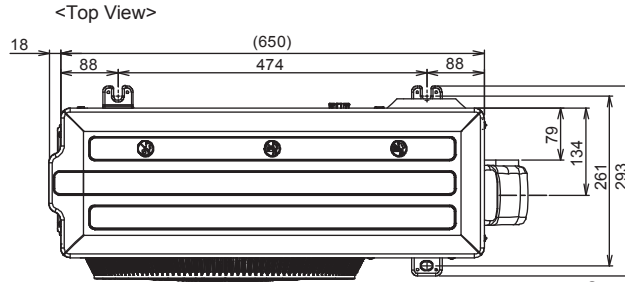
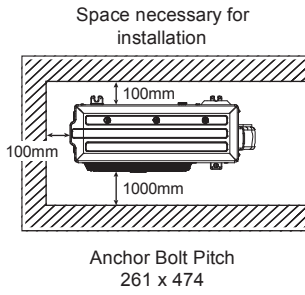
Relative position between the indoor and the installation plate <Front View>



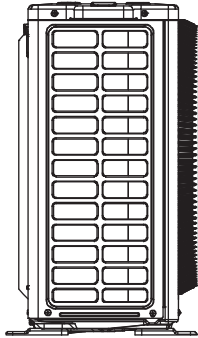
Unit : mm

2. Outdoor Unit

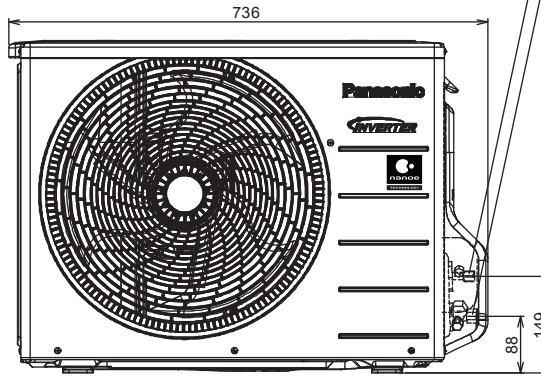
2.1 CU-RU9AKH



<Side View>

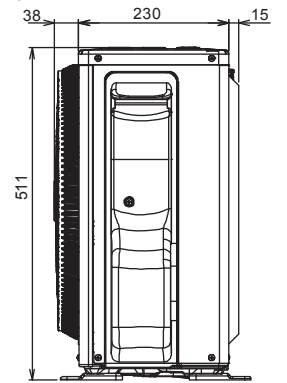


<Front View>



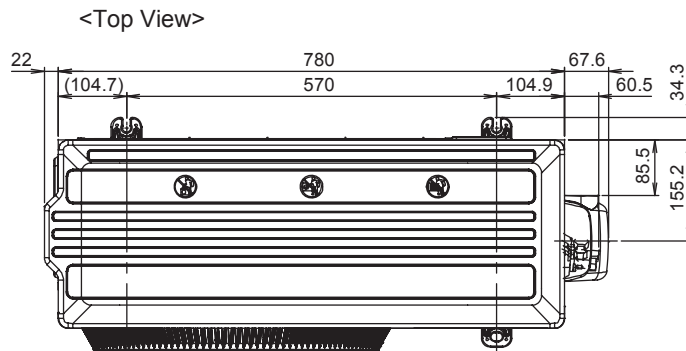
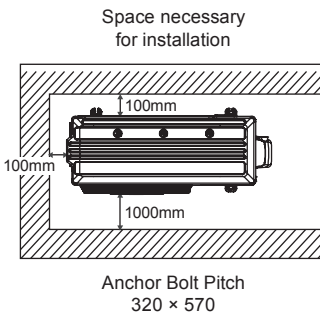
2-way valve at Liquid side
(High Pressure)
3-way valve at Gas side
(Low Pressure)

<Side View>

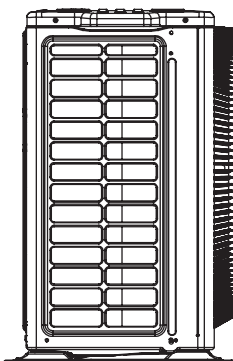


Unit : mm

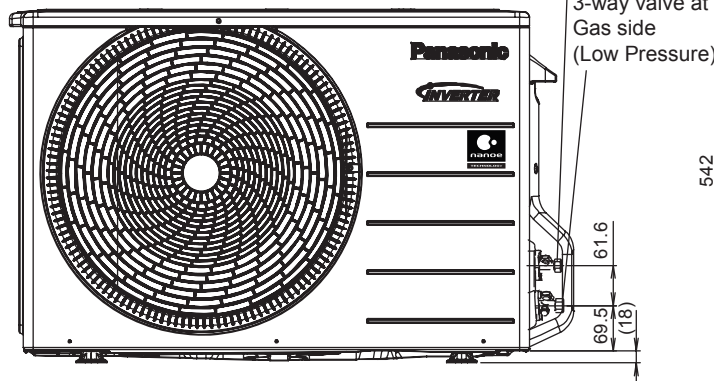
2.2 CU-RU12AKH



<Side View>



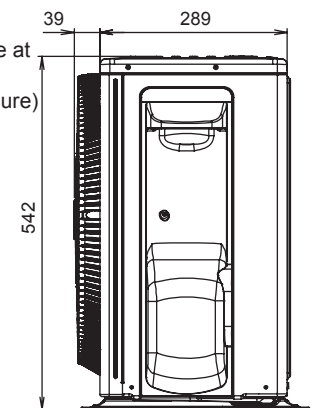
<Front View>



2-way valve at
Liquid side
(High Pressure)

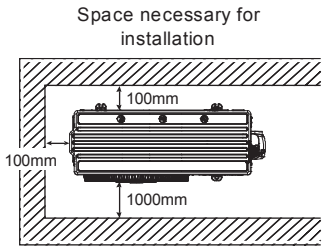
3-way valve at
Gas side
(Low Pressure)

<Side View>

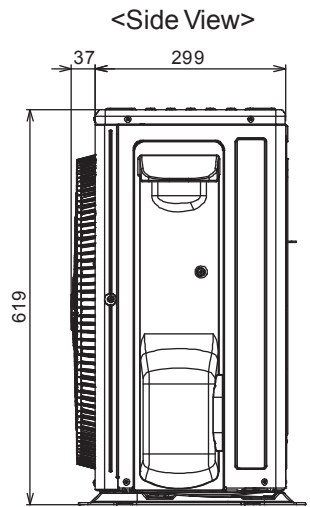
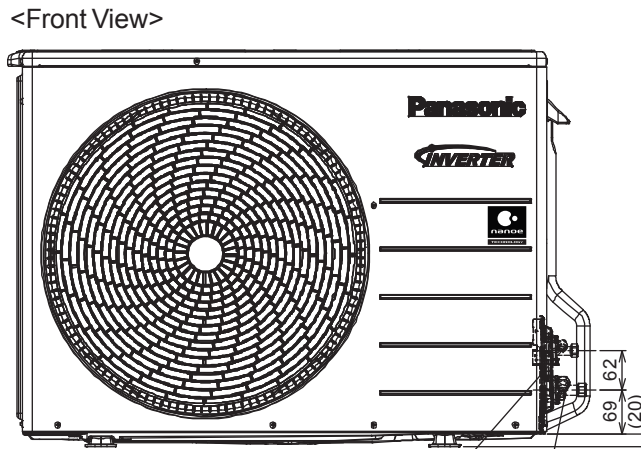
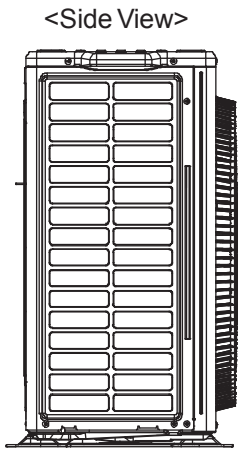
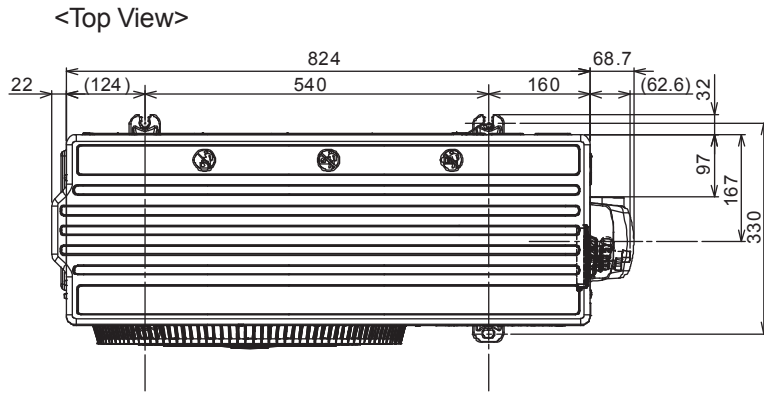


Unit : mm

2.3 CU-RU18AKH



Anchor Bolt Pitch
330 × 540



3-way valve at Gas side
(Low Pressure)
2-way valve at Liquid side
(High Pressure)

Unit : mm